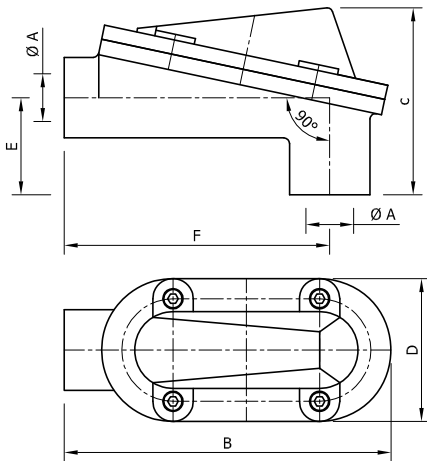
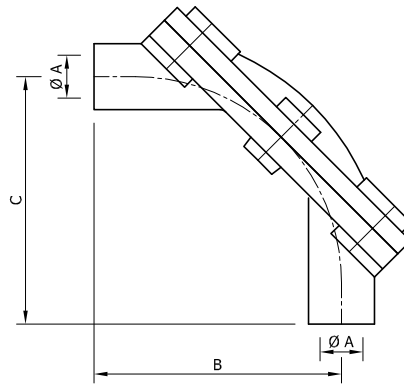
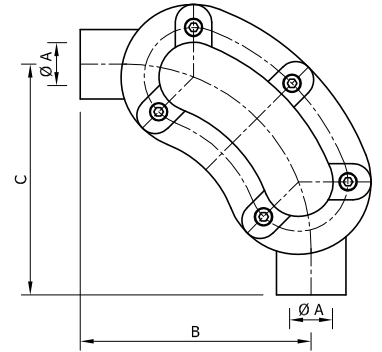



LBH

LBHS

LBHF


Gövde Tipi Type	Ağırlık (kg) Weight	Civata Sayısı Bolt Qty.	ØA		Ölçüler Dimensions (mm)					
			NPT	METRIC	B	C	D	E	F	
LBH.1	0.85	4	1/2"	M20x1.5	172	94	78	53	145	
LBH.2	0.85	4	3/4"	M25x1.5	172	94	78	53	145	
LBH.3	0.92	4	1"	M32x1.5	172	94	78	53	145	
LBH.4	1.71	10	1 1/4"	M40x1.5	225	132	94	73	183	
LBH.5	1.71	10	1 1/2"	M50x1.5	225	132	94	73	183	
LBH.6	1.71	10	2"	M60x1.5	300	165	116	85	246	
LBH.7	3.81	10	2 1/2"	M75x1.5	365	204	134	100	300	
LBH.8	3.81	10	3"	M90x2	375	208	146	108	300	

Gövde Tipi Type	Ağırlık (kg) Weight	Civata Sayısı Bolt Qty.	ØA		Ölçüler Dimensions (mm)	
			NPT	METRIC	B	C
LBHS.1	0.99	6	1/2"	M20x1.5	150	150
LBHS.2	0.99	6	3/4"	M25x1.5	150	150
LBHS.3	1.15	6	1"	M32x1.5	190	190
LBHS.4	1.74	8	1 1/4"	M40x1.5	300	300
LBHS.5	1.74	8	1 1/2"	M50x1.5	300	300
LBHS.6	2.83	8	2"	M60x1.5	300	300

Gövde Tipi Type	Ağırlık (kg) Weight	Civata Sayısı Bolt Qty.	ØA		Ölçüler Dimensions (mm)	
			NPT	METRIC	B	C
LBHF.1	1.55	6	1/2"	M20x1.5	140	140
LBHF.2	1.55	6	3/4"	M25x1.5	140	140
LBHF.3	1.55	6	1"	M32x1.5	180	180
LBHF.4	4.15	8	1 1/4"	M40x1.5	260	260
LBHF.5	4.15	8	1 1/2"	M50x1.5	260	260
LBHF.6	4.15	8	2"	M60x1.5	300	300

Malzeme/Material: Alüminyum ETIAL 140